

202210/2667E001

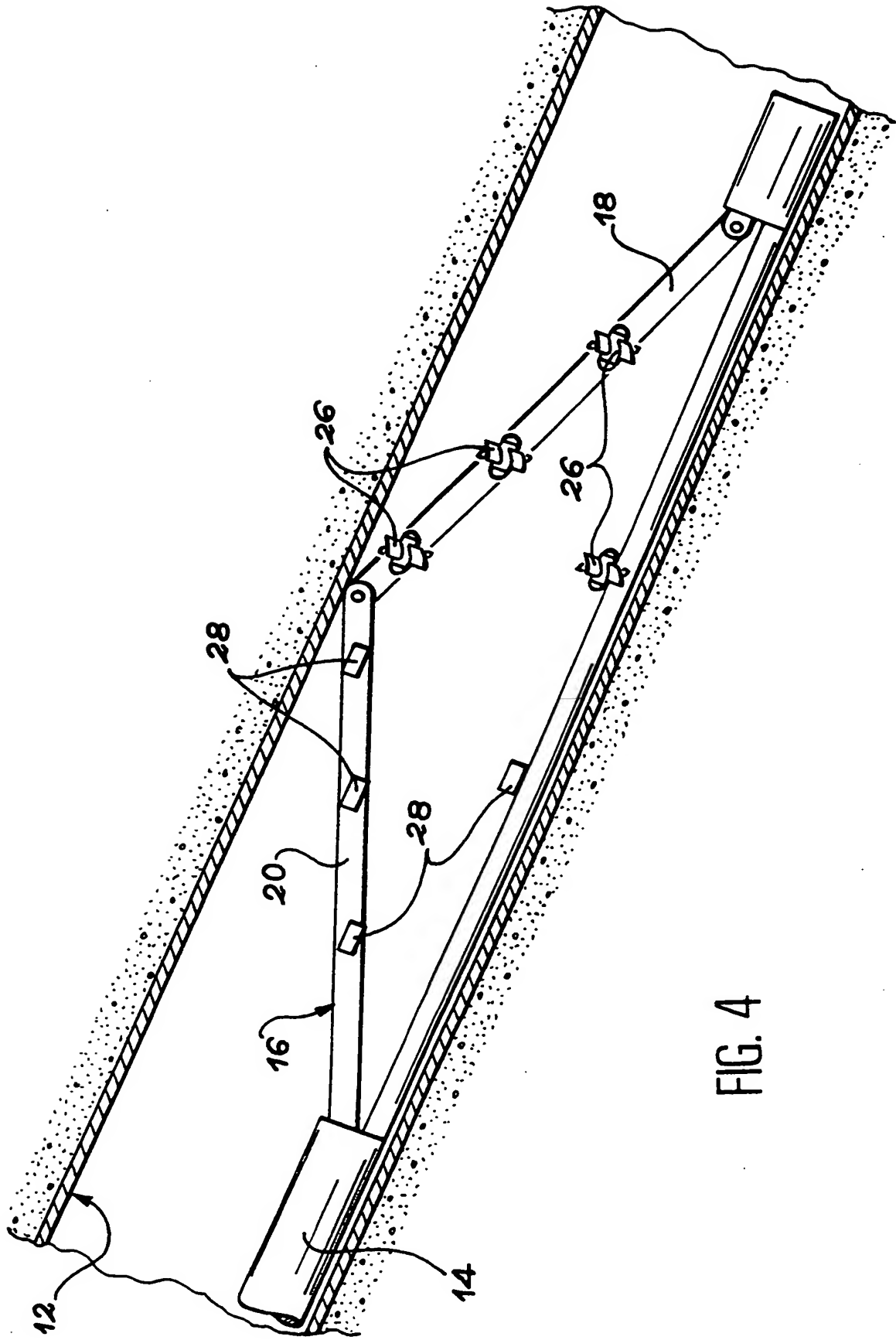


FIG. 4

200210 466FE00T